



US006281741B1

(12) **United States Patent**
Hartley

(10) **Patent No.:** **US 6,281,741 B1**
(45) **Date of Patent:** **Aug. 28, 2001**

(54) **INTEGRATED CIRCUIT INCLUDING CURRENT MIRROR AND DUAL-FUNCTION TRANSISTOR**

(75) Inventor: **Paul Keith Hartley**, Allentown, PA (US)

(73) Assignee: **Agere Systems Guardian Corp.**, Orlando, FL (US)

(*) Notice: Subject to any disclaimer, the term of this patent is extended or adjusted under 35 U.S.C. 154(b) by 0 days.

(21) Appl. No.: **09/448,611**

(22) Filed: **Nov. 23, 1999**

Related U.S. Application Data

(62) Division of application No. 09/019,407, filed on Feb. 5, 1998, now Pat. No. 6,028,466.

(51) **Int. Cl.**⁷ **G05F 1/10**

(52) **U.S. Cl.** **327/530; 327/404**

(58) **Field of Search** 327/538, 540, 327/309, 327, 328, 306, 530, 404; 323/312, 313, 315

(56) **References Cited**

U.S. PATENT DOCUMENTS

4,849,708 7/1989 Brehmer et al. 330/110

5,023,489 * 6/1991 Macbeth 307/490
5,349,245 * 9/1994 Hughes et al. 307/353
5,491,437 2/1996 Rincon et al. 327/108
5,563,553 10/1996 Jackson 331/57
5,625,281 4/1997 Lambert 323/315
5,783,952 * 7/1998 Kazazian 327/94

OTHER PUBLICATIONS

P. E. Allen et al., *CMOS Analog Circuit Design*, Saunders College Publishing, pp. 227–239 (1987).

N. Mohan et al., *Power Electronics: Converters, Applications and Design*, John Wiley & Sons, pp.296–297 (1989).

* cited by examiner

Primary Examiner—Jung Ho Kim

(74) *Attorney, Agent, or Firm*—Michael J. Urbano

(57) **ABSTRACT**

An IC comprises a pair of circuit nodes, a current mirror that includes dual-function transistor, and a controller for switching the transistor between a pair of states. In a first state, the transistor provides current gain and also provides a relatively high impedance between the nodes, and in a second state, it provides no current gain and a relatively lower impedance between the nodes.

2 Claims, 3 Drawing Sheets

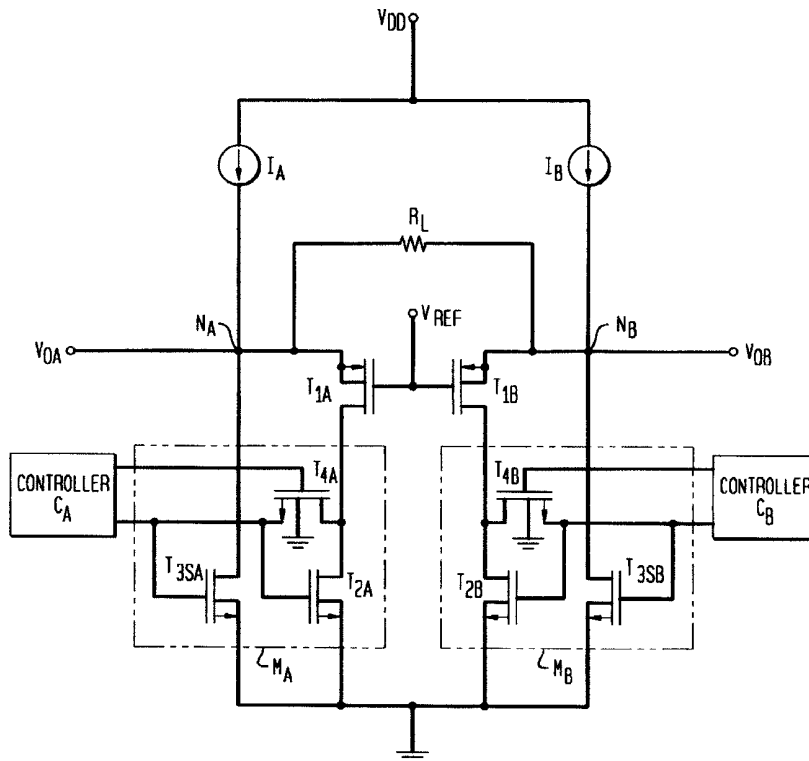


FIG. 1
(PRIOR ART)

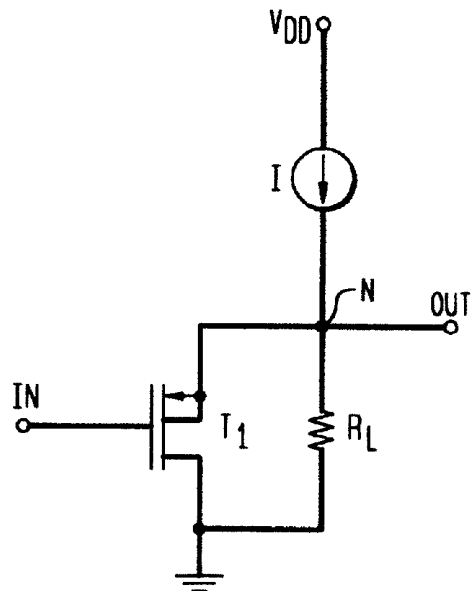


FIG. 2

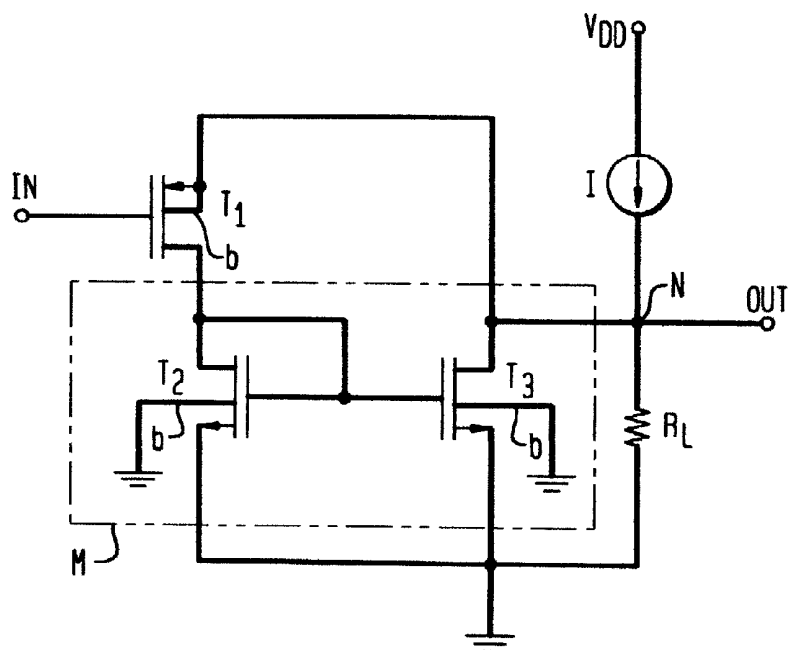


FIG. 3

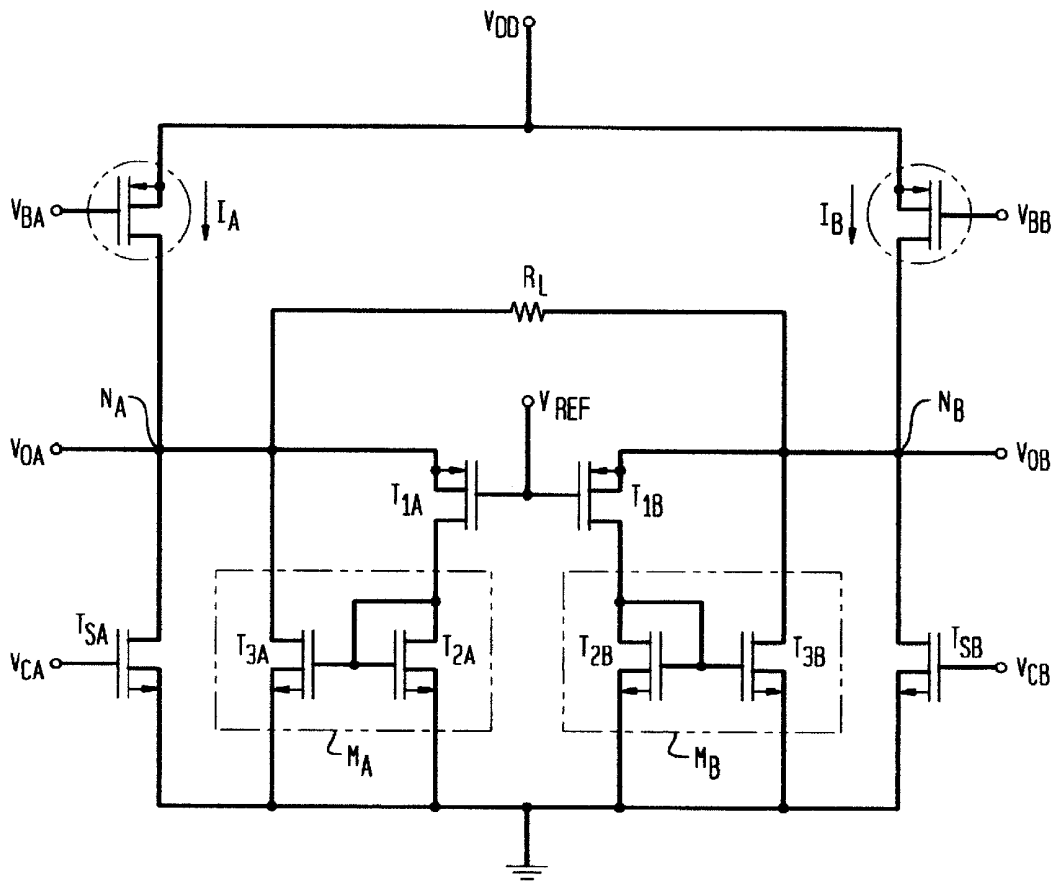
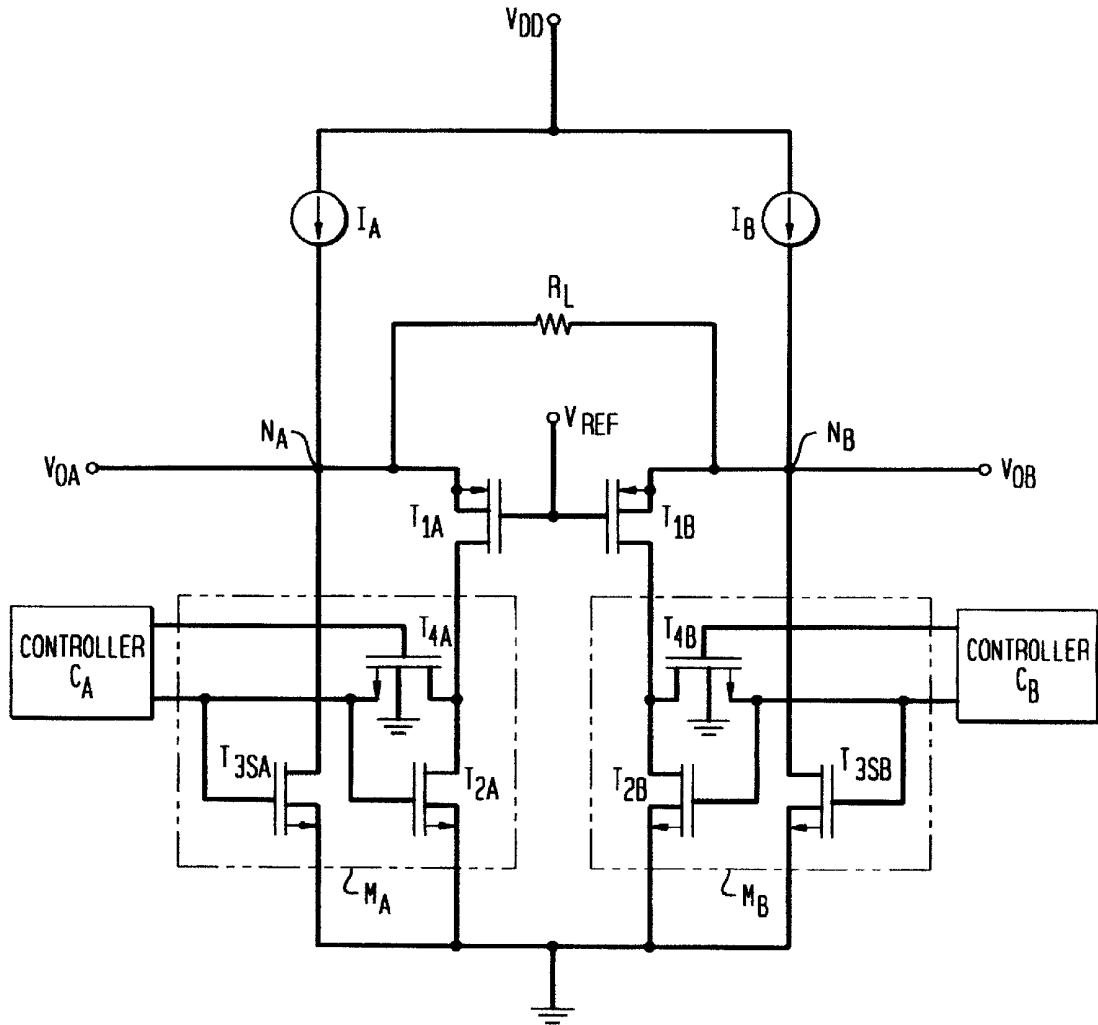


FIG. 4



1

INTEGRATED CIRCUIT INCLUDING CURRENT MIRROR AND DUAL-FUNCTION TRANSISTOR

This is a divisional of application Ser. No. 09/019,407, filed on Feb. 5, 1998 U.S. Pat. No. 6,020,466.

FIELD OF THE INVENTION

This invention relates generally to integrated circuits (ICs) in which the voltage at a circuit node is clamped or limited.

BACKGROUND OF THE INVENTION

A typical prior art voltage clamp, as shown in FIG. 1, utilizes a single PMOS transistor T1 to limit the voltage at output node N. In this circuit the output load, represented by resistor R_L , is driven by a current source I. When the output voltage at node N exceeds the input voltage by V_{th} (the threshold voltage of T1), T1 turns on and begins to conduct current from node N to ground, effectively limiting the output voltage at node N to V_{th} above the input voltage. Equivalent bipolar clamp circuits are also known in the prior art.

A significant disadvantage of the single-transistor clamp circuit arises from its limited transconductance, which in turn means that it does not turn on very hard; i.e., above V_{th} the slope of its I-V characteristic is not as nearly vertical as desired. MOSFET transconductance is proportional to the gate width-to-length ratio (W/L). Since gate length is typically set by the design rules of a given IC process, increasing transconductance by a factor M generally implies increasing W by a similar factor. Unfortunately, this approach significantly increases the area of the MOSFET, area which is frequently at a premium in state-of-the-art, densely packed ICs. Once again, similar considerations apply to bipolar clamp circuits.

Thus, a need remains in the art for a voltage clamp IC which provides increased transconductance without significantly increased circuit area as compared to single-transistor clamp circuits.

SUMMARY OF THE INVENTION

In accordance with one aspect of my invention, an IC includes a clamp transistor for limiting the voltage at a circuit node and a current amplifier coupled across the input and output terminals (e.g., the source and drain of a MOSFET, or the emitter and collector of a bipolar transistor) of the clamp transistor. In one embodiment the current amplifier comprises a current mirror.

In accordance with another aspect of my invention, the direction of current through a load is controlled by means of dual-function transistor which also serves to provide current gain in the current mirror. In one embodiment, a differential line driver includes a pair of such dual-function transistors in its clamp circuits.

BRIEF DESCRIPTION OF THE DRAWINGS

My invention, together with its various features and advantages, can be readily understood from the following more detailed description taken in conjunction with the accompanying drawing, in which:

FIG. 1 is a circuit schematic of a prior art, single-transistor clamp circuit;

FIG. 2 is a circuit schematic of a clamp circuit in accordance with one embodiment of my invention;

2

FIG. 3 is a circuit schematic of a differential line driver incorporating a clamp circuit in accordance with another embodiment of my invention; and

FIG. 4 is a circuit schematic of another differential line driver in which dual function transistors are utilized to switch the load and provide clamp current amplification in accordance with yet another embodiment of my invention.

DETAILED DESCRIPTION OF THE INVENTION

With reference now to FIG. 2, a clamp circuit in accordance with one aspect of my invention comprises an output load R_L driven by a current source I, and a MOSFET clamp transistor T1 for limiting the voltage at the output node N, characterized in that a current amplifier M is coupled across the source and drain of the clamp transistor T1.

In one embodiment, the current amplifier M comprises a current mirror of the type described by P. E. Allen et al., *CMOS Analog Circuit Design*, Saunders College Publishing, pp. 227-239 (1987), which is incorporated herein by reference. The current mirror comprises a pair of transistors, a diode-connected transistor T2 and a current gain transistor T3, which provide a current gain M given by

$$M=(W_3/L_3)/(W_2/L_2), \quad (1)$$

where W and L are the gate width and length, respectively. This gain, which relates the current through T3 to that through T2, effectively increases the transconductance of the clamp transistor T1 by the factor M and decreases its output impedance by the same factor. Accordingly, the slope of I-V characteristic of my clamp circuit above the threshold of T1 is steeper than that of the prior art single transistor circuit of FIG. 1.

In order to appreciate how incorporation of the current mirror into the clamp circuit can be exploited to increase transconductance and yet effect savings in circuit area (compared with the single-transistor clamp circuit of FIG. 1) consider the following. Assume all gate lengths are the same: $L_1=L_2=L_3=1 \mu\text{m}$, and that the gate widths are: $W_1=W_3=100 \mu\text{m}$ and $W_2=1 \mu\text{m}$. Then, the clamp current (i.e., the current in the left branch (in T1 and T2) plus the current in the right branch (in T3)) is approximately 101 times the current through T1 and T2. The single-transistor clamp circuit of FIG. 1 would require a MOSFET having a gate width 101 times that of T1 to achieve the same performance (or equivalently multiple MOSFETs with smaller, series-connected gates adding up to the necessary overall gate width). Using MOSFET gate area as a measure of chip area, such a single-transistor clamp circuit would require an area of $100 \mu\text{m} \times 101 \times 1 \mu\text{m} = 10,100 \mu\text{m}^2$. In contrast, the inventive clamp circuit of FIG. 2 occupies an area of only $(100 \mu\text{m} + 100 \mu\text{m} + 1 \mu\text{m}) \times 1 \mu\text{m} = 201 \mu\text{m}^2$, more than 50 times smaller than the equivalent—performance, single-transistor clamp circuit.

The connections between the current mirror M and the clamp transistor T1 are more specifically described as follows. An input signal is coupled to the gate of T1 which has its source coupled to the drain of T3 and to output node N. The drains of T1 and T3 are coupled to one another and to the gates of T2 and T3. The gates of T2 and T3 are also coupled to one another. The sources of T2 and T3 are coupled to a source of reference potential, illustratively shown to be ground. Current source I is coupled between bias voltage V_{DD} and node N, whereas load R_L is coupled between node N and ground. As is well known in the IC art, MOSFETs actually have a fourth terminal; i.e., the bodies b

3

of the three transistors are coupled to ground in the case of T2 and T3 and to the source in the case of T1. In general, the term body may refer to the substrate or to a tub region in which the device is formed.

My inventive clamp circuit finds utility in many applications including, for example, the differential line drivers depicted in FIGS. 3 and 4. These drivers, in turn, may be used in terminal adapters (internal or external) which interface between a work station or personal computer and the ISDN portion of a communication network. In such an adapter the driver outputs are typically coupled through a step-down transformer to a 50 ohm transmission cable (which would constitute the load R_L).

From a structural standpoint, the differential line driver of FIG. 3 may be viewed as having left-right circuit symmetry, with components on the left labeled A and corresponding ones on the right labeled B. From a functional standpoint, the driver alternates among multiple states responsive to control circuitry not shown. For example, in one state S_C the driver is off (i.e., current sources I_A and I_B and switching transistors T_{SA} and T_{SB} are all off) and the output nodes are at a relatively high impedance. On the other hand, in states S_A and S_B the driver is on and provides output voltages V_{OA} and V_{OB} which are equal in magnitude but opposite in sign so that the average DC output is zero. In one system protocol, the outputs of states S_A and S_B correspond to logic zero, whereas the output of state S_C corresponds to logic one.

In operation, in state S_A , the driver is on; i.e., control signals $V_{CA} = \text{ground}$ and $V_{CB} = V_{DD}$, whereas $V_{BB} = V_{DD}$ and V_{BA} is a bias voltage necessary to provide the specified output current. The control signals turn switching transistor T_{SA} off (and turn T_{SB} on), causing current to flow from current source I_A through the load in one direction (left-to-right), through switching transistor T_{SB} to ground. In state S_A , when V_{OA} is V_{th} above V_{REF} , clamp transistor T_{1A} begins to conduct current from node N_A through current mirror M_A to ground (instead of through the load), thereby limiting/clamping the voltage at output node N_A at a predetermined level. Conversely, in state S_B control signals V_{CA} and V_{CB} turn on switching transistor T_{SA} (and turn off T_{SB}) so that current flows from current source I_B through the load in the opposite direction (right-to-left), and through switching transistor T_{SA} to ground. In state S_B , when transistor T_{1B} conducts current from node N_B through current mirror M_B to ground, transistor T_{1B} limits/clamps the voltage at output node N_A in the same fashion as described above.

Careful observation of the operation of the driver of FIG. 3 reveals that in state S_A switching transistor T_{SA} is off. Hence it is not being utilized, yet it occupies circuit area. Further observation points out that T_{SA} is in parallel with the current gain transistor T_{3A} of current mirror M_A . Thus, the current gain and switching functions could be performed by single, dual-function transistor. This transistor is designated T_{3SA} in the differential driver of FIG. 4. Likewise, transistors T_{3B} and T_{SB} of FIG. 3 may be replaced with the single, dual-function transistor T_{3SB} shown in FIG. 4. Of course, to provide the current gain required of current mirrors M_A and M_B , transistors T_{3SA} and T_{3SB} would have relatively large gate widths (similar to the gate widths of transistors T_{3A} and T_{3B} of FIG. 3). Functionally, the transistor T_{3SA} is considered to be a dual function device in that in state S_A it provides current gain and a relatively high impedance between node N_A and ground, whereas in state S_B it provides no current gain and a relatively lower impedance (effectively a short circuit) between node N_A and ground. The impedance in state S_A depends on the amount by which the output

4

voltage V_{OA} is more than V_{th} above the predetermined maximum voltage at node N_A . Similar comments apply to transistor T_{3SB} with respect to the converse situation.

An additional modification of the driver of FIG. 3 is the replacement of the gate-to-drain short circuits of transistors T_{2A} and T_{2B} with the switching transistors T_{4A} and T_{4B} of FIG. 4 under the control of controllers C_A and C_B , respectively. In state S_A , when current mirror M_A provides current gain, T_{4A} is on, effectively providing a short circuit between the gate and drain of T_{2A} , and T_{4B} is off, effectively providing an open circuit between the gate and drain of T_{2B} . Conversely, in state S_B , when current mirror M_B provides current gain, T_{4B} is on, effectively providing a short circuit between the gate and drain of T_{2B} , and T_{4A} is off, effectively providing an open circuit between the gate and drain of T_{2A} . This embodiment of my differential driver saves the circuit area occupied by transistors T_{SA} and T_{SB} of FIG. 3 and reduces parasitic capacitance at the output nodes. Note, the additional logic MOSFETs (e.g., T_{4A} and T_{4B} and any logic circuitry in the controllers) are considerably smaller than the other transistors, and as such are only a small portion of the total area of the circuit.

It is to be understood that the above-described arrangements are merely illustrative of the many possible specific embodiments which can be devised to represent application of the principles of the invention. Numerous and varied other arrangements can be devised in accordance with these principles by those skilled in the art without departing from the spirit and scope of the invention. In particular, the use of MOSFETs in the description of my invention is exemplary only; that is, bipolar and other types of transistors (e.g., MESFETs and JFETs) could also be utilized to build circuits incorporating my inventive principles. In addition, the gate and base terminals of these transistors may be considered to be control terminals, and accordingly the source/drain and emitter/collector terminals may be viewed as input/output terminals.

What is claimed is:

1. An integrated circuit comprising
a pair of circuit nodes,

a current mirror including a first transistor and a dual-function transistor, in a first state said dual-function transistor cooperating with said first transistor to provide current gain and also providing a relatively high impedance between said nodes, said current gain being defined as the ratio of the output current from said dual-function transistor to the input current to said first transistor, and in a second state said dual-function transistor cooperating with said first transistor to provide no current gain and also providing a relatively lower impedance between said nodes,

a switch coupled to said first transistor, in said first state said switch coupling the control terminal to the output terminal of said first transistor so that said first transistor functions as a diode and in said second state decoupling said control terminal from said output terminal of said first transistor; and

control means for switching said switch and said dual-function transistor between said states.

2. The invention of claim 1 wherein said switch and each of said transistors comprises a field effect transistor having a gate that functions as a control terminal, a source that functions as an input terminal and a drain that functions as an output terminal, said first transistor and said dual function transistor having their sources coupled to a first source of reference potential, each of said transistors having its gate coupled to said control means, said first transistor having its

5

drain coupled to a source of input current, said dual function transistor having its drain coupled to one of said nodes that functions as an output terminal of said circuit and is coupled to a second source of reference potential, and said switch having its source and drain coupled across the drain and gate of said first transistor, so that in said first state said switch is ON, thereby shorting said gate and drain of said first transistor to one another and thereby causing said first transistor and said dual-functions transistors to provide said

6

current gain, said gain being determined by the ratio of the aspect ratio of the gate of said dual-function transistor to that of said first transistor, and so that in said second state said switch is OFF and said control means pulls the gates of said first transistor and said dual-function transistor to one of said sources of reference potential determined by the state of said dual function transistor.

* * * * *